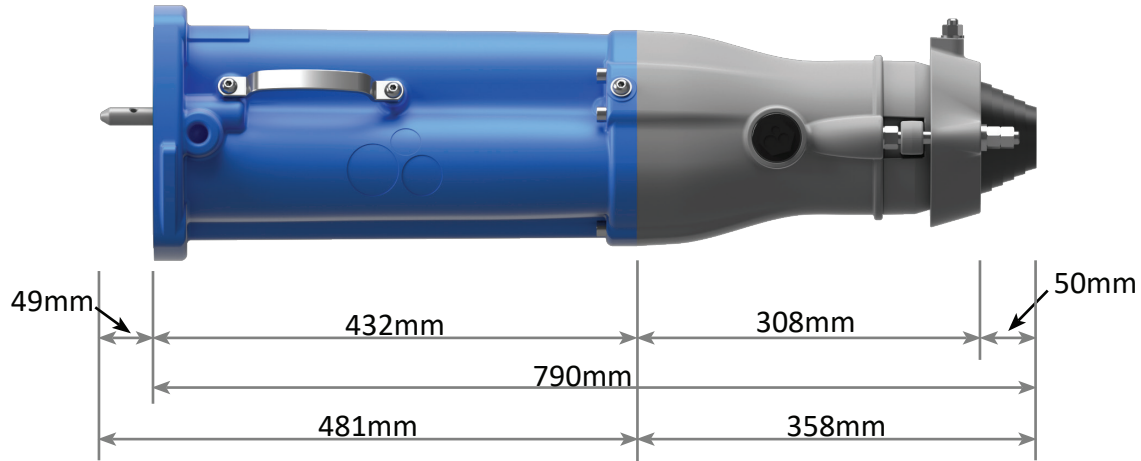
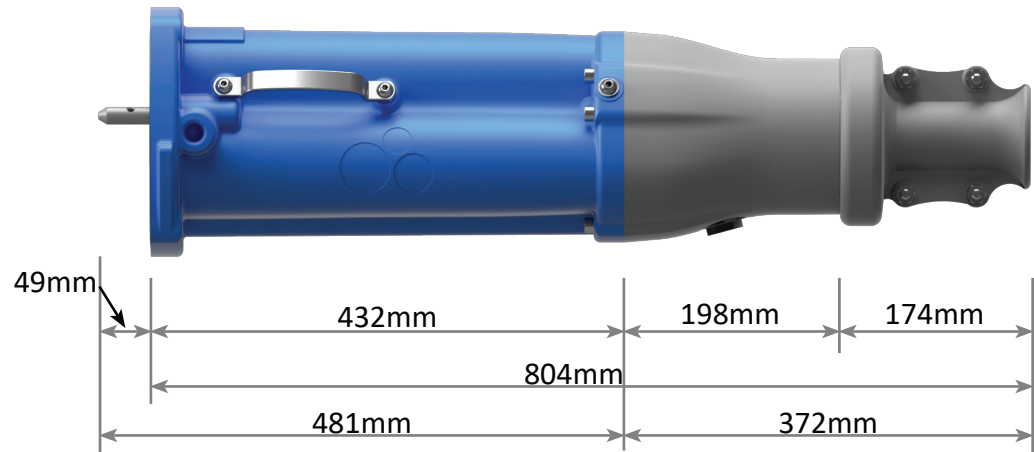


# 25kV - High Voltage Couplers

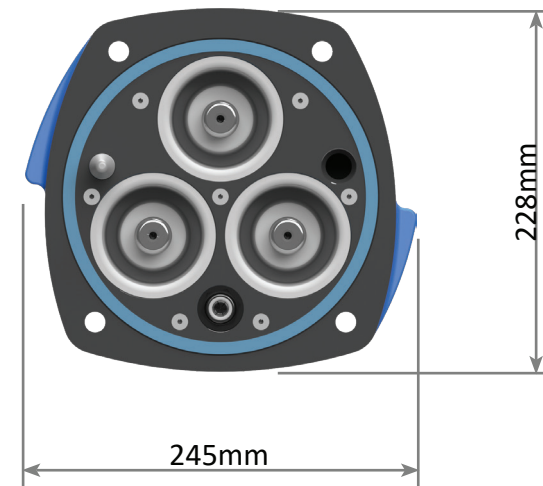
*Side View (Armoured)*



*Side View (Unarmoured)*



*Front View*



# 25kV - High Voltage Adaptors

*Adaptor Side and Front View*

